



# nyloflex<sup>®</sup> NExT Exposure FV

High-intensity UV-A LED exposure for Flat Top Dots and Surface Screening

Wide web format, suitable for processing high quality photopolymer plates up to a maximum size of 1320 mm x 2032 mm (52.0" x 80.0")

## Premium plate quality due to improved reproduction

- High performance exposure technology for precise image reproduction, finest relief elements and highest print quality
- Innovative combination of latest generation UV-A LEDs with high output UV-A tubes
- Offers all benefits of flat top dots & surface screening
  - Virtual 1:1 copy of the digital data
  - Tremendous improvement of ink transfer and laydown in solids, up to 25 %
  - Extended gamut

## Highest level of production consistency

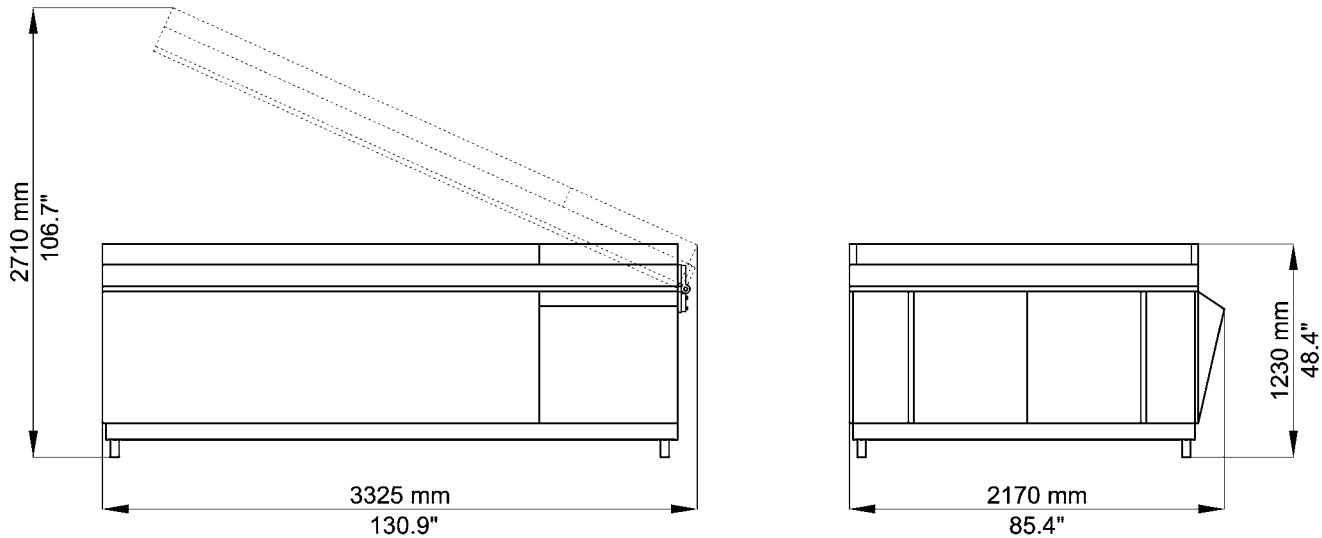
- High-intensity UV-A LEDs (>800 mW/cm<sup>2</sup>) for highest efficiency
- Low dot gain tolerances ensure stable print quality due to low impression sensitivity of Flat Top Dots
- Constant output of UV-A LEDs results in highest long-term repeatability, especially for rework
- Temperature control of exposure bed to ensure uniform production conditions

## Easy integration in workflow – no additional consumables required

- Easy implementation into existing digital workflow
- Requires no additional processing steps or consumables (no lamination, no film, no inert gas), thus avoiding additional risks and extra costs
- Compatible with all standard prepress software and HD Flexo
- Flexible solution – typical digital dots (round top) can be achieved by the use of the UV-A tubes only
- Suitable for all standard digital plates – any type, format and thickness

# nyloflex® NExT Exposure FV

## Equipment Dimensions



Technical data		nyloflex® NExT Exposure F V
<b>Maximum plate size (W x L)</b>		<b>1320 mm x 2032 mm (52.0" x 80.0")</b>
<b>Electrical connection</b>	<b>Exposure:</b>	<b>400 V, 50/60 Hz (3 Ph/N/PE) o. 230 V, 50/60 Hz (3 Ph/PE)</b>
<b>Nominal current</b>	<b>at 400 V:</b> <b>at 230 V:</b>	<b>20 A</b> <b>33 A</b>
<b>Nominal power</b>		<b>14.5 kW</b>
<b>Compressed air</b>		<b>8 mm, min. 7 bar (0.31", 102 PSI), 30 m<sup>3</sup>/h</b>
<b>UV-A LED bar</b>		<b>12 UV-LED modules x 114 mm</b>
<b>UV-A tubes</b>		<b>100 W, high intensity tubes with reflector</b>
<b>Weight (approx.)</b>	<b>net:</b> <b>gross:</b>	<b>1130 kg (2491 lbs); 1205 kg (2657 lbs) incl. transformer for 60 Hz</b> <b>1540 kg (3395 lbs); 1615 kg (3560 lbs) incl. transformer for 60 Hz</b>
<b>Crate dimensions (W x D x H)</b>		<b>3470 mm x 2300 mm x 1600 mm (136.6" x 90.55" x 63")</b>
<b>Recommended ambient temp.</b>		<b>20 - 25 °C (68 - 77 °F)</b>

**Please contact us for additional information.**

**Flint Group**, Sieglestr. 25, 70469 Stuttgart, Germany • T +49 711 9816 389 • info.flexo@flintgrp.com • www.flintgrp.com

The aim of our technical documents is to inform and advise our customers. The information provided herein is correct to the best of Flint Group's knowledge. No liability for any errors, facts or opinions is accepted. Customers must satisfy themselves as to the suitability of this product for their application. No responsibility for any loss as a result of any person placing reliance on any material contained herein will be accepted. Product names followed by ® are trademarks registered by Flint Group (represented by Flint Group US LLC or Flint Group Germany GmbH). Rely on us<sup>SM</sup> is a service mark of Flint Group.

**FlintGroup**